



Co-botic™ 45  
Your new  
favorite  
colleague



i-team®  
i-teamglobal.com

It's not just  
about cleaning  
**It's about happy  
& healthy people**

While cleaning has never been more important, we believe effective cleaning is more than 'just' the removal of soil. It means ensuring the health and safety of people, while making the job easier, simpler, more efficient and even fun. It means consistent results all over the world, while protecting the world.

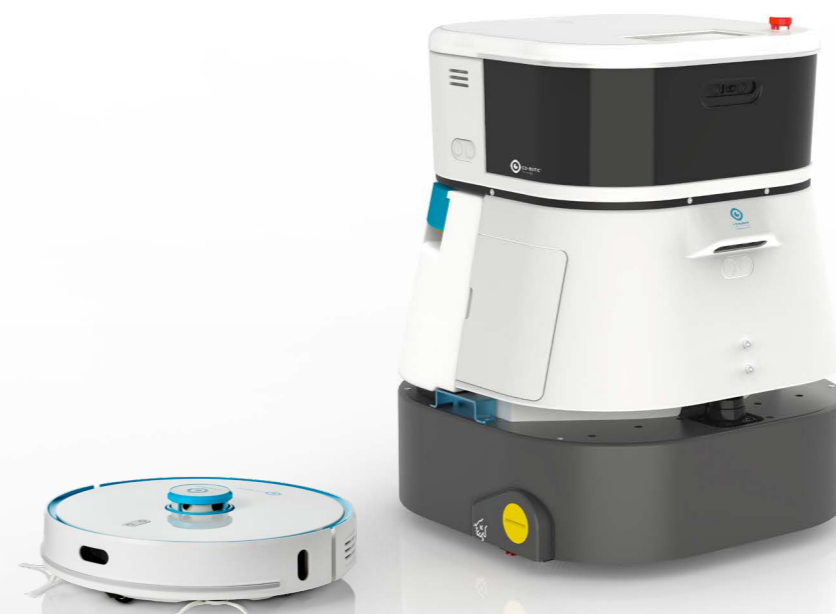
## Let's work together **A human-robot collaboration**

**Co-botic™ 45 ensures a lot of happy faces as it can clean hard floors autonomously, assisting the cleaner in repetitive duties. A cobot isn't meant to replace the (human) cleaner. Instead, it's meant to assist the cleaner. A cobot is a powerful tool that can ease the overall workload by performing repetitive and tedious tasks, like cleaning large floor areas. This way, the cleaner can avoid repetitive strain injuries, improve ergonomics, and use their abilities elsewhere.**

Cobotics technology makes it possible to automate a range of tasks via interaction between humans and robotics. By implementing cobotics into your cleaning operations, you maintain a high standard of cleaning with ultimate efficiency and less strain on the cleaner.

Having a cobot in your workforce means that tasks can be divided based on physical strength and abilities. In other words, the cobot can take

on heavy-duty, time-consuming, and repetitive cleaning, while maintaining a high and constant standard. This frees the cleaner up for other tasks, such as deep cleaning sanitary spaces, surfaces, and overall touch points. The cleaning staff can pay attention to the tasks that require insights and decision-making, which have a direct impact on the overall service levels. Their work becomes less strenuous and more fulfilling.



# We shine together

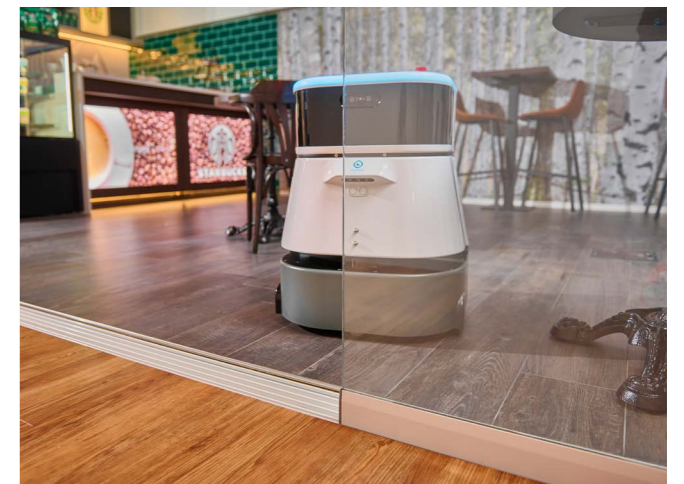
## About co-botic™ 45



I'm a smart mover

### Interpreting the area

Does your space have windows or (open) doors made of see-through materials? No problem! The co-botic™ 45 can recognize transparency, mirrors and move around see-through obstacles when needed. The same goes for staircases: the co-botic™ 45 sees depth and turns around in time. It can also see people and smoothly steers around them while cleaning. If these people move from their spot within the next few minutes, the co-botic™ 45 returns to the same spot to make sure this area gets cleaned as well.



The co-botic™ 45 can recognize transparency and move around see-through obstacles when needed.



I never get lost or miss a spot. Even when the floor is temporarily occupied.

The co-botic™ 45 is an intelligent robotic scrubber-dryer for hard floors. It's your perfect cleaning help for spaces between 200m<sup>2</sup>-1500m<sup>2</sup>.

While the co-bot covers the main routes, the (human) cleaner can focus on cleaning the edges, corners and other spots that require more attention. The co-botic™ 45 is fast and efficient, as well as self-learning. A cleaning route can be manually mapped, or you can simply let it find its own cleaning route.

### Efficiency is key

By adding the co-botic™ 45 to your cleaning crew, you instantly outshine the walk-behind scrubber. Imagine the time you would usually spend walking behind the scrubber – you can now use all that time to focus on cleaning other areas. Resulting in a more efficient and faster cleaning routine. Moreover, the co-botic™ 45 doesn't need detergents and uses less water than an average walk-behind scrubber dryer (and way less than a mop and bucket).



Saves time



No detergents needed



Uses less water



Uses less power



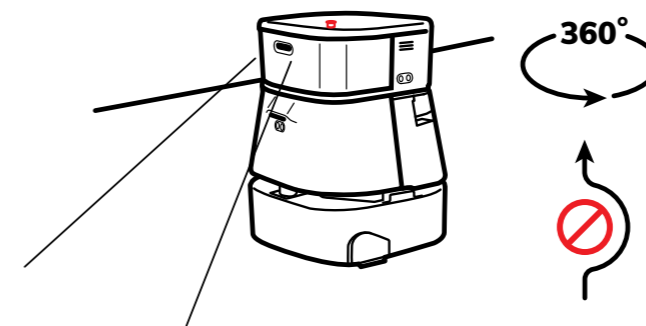
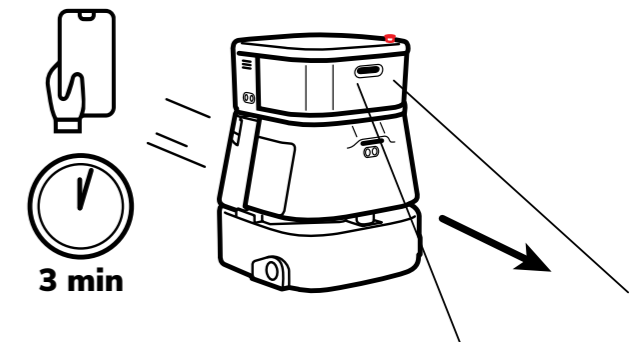
With me by your side **cleaning is a piece of cake**



## Key features

### I'm ready to work in no time

Setting me up is a piece of cake. You can take me from the box to the floor in 30 minutes. From that moment forward, I'm ready for daily use within 3 minutes. It's that easy.

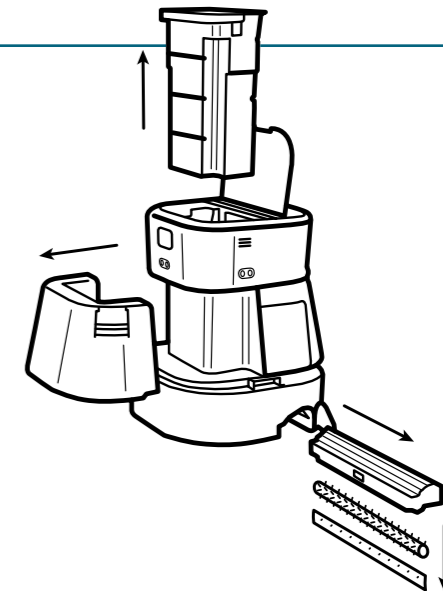


### I never get lost

With the co-botic app, you can create a map of the area you want me to clean. The first time on route, I store every spot in my memory. This way I never get lost or miss a spot. Even when the floor is temporarily occupied.

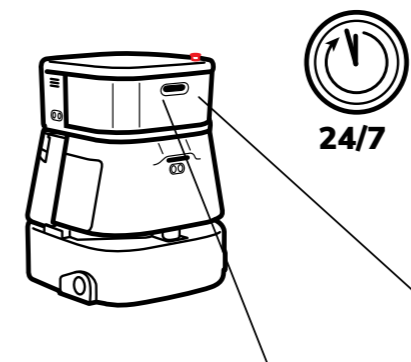
### I'm on duty 24/7

I can be an early bird, a night owl and everything in between. When my battery is running low, I will let you know. You can replace my battery within seconds to get me going again.



### You can get to me

Did you know all of my parts are easily accessible? Refill or empty my tank in the blink of an eye and replace brushes or squeegees with a few easy clicks. Take care of me, and I will take care of you.



### You and I work together

I am designed to cooperate with you: the human cleaner. While I'm making the miles, you have all the time to focus on spots that require more attention to detail. We make a great team.

# In the cloud Co-botics app

Schedule cleaning days and times with the co-botics app. You can create a map of your spaces within minutes and choose which rooms to clean.

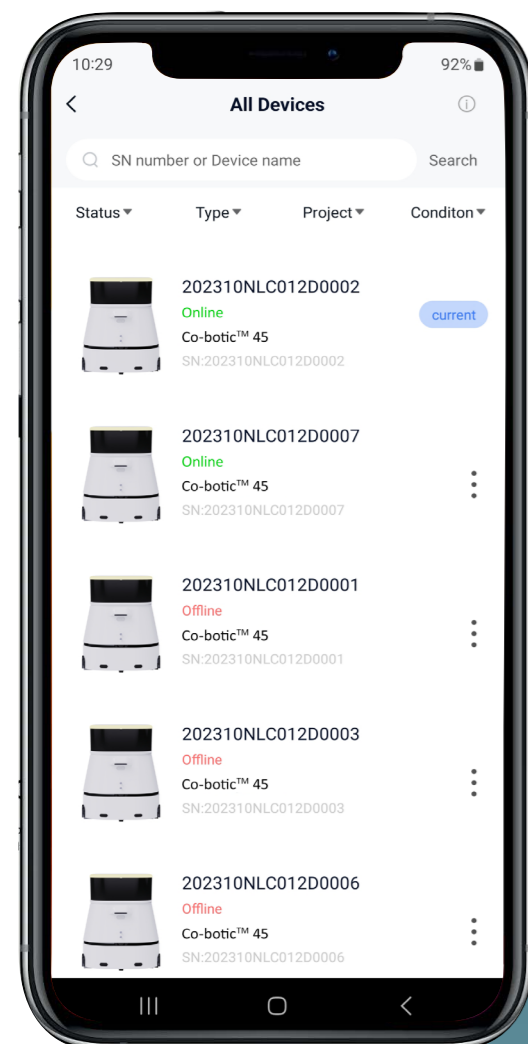
Moreover, you can also choose in which sequence the rooms are cleaned. Any spaces the co-botic™ 45 shouldn't go? No problem! Just setup virtual boundaries and no-go-zones. The app provides day-to-day cleaning reports to give you more insights in your cleaning routines. It's possible to export these reports as PDF-files.

## Extra team members Working with multiple co-bots

It's possible to strengthen your cleaning team with more than one co-bot. Use the app to allocate specific rooms or zones to unlimited amount of co-bot and let them operate at the same time.

## I also work offline Get me started

No Wi-Fi? No problem! Because the co-botic™ 45 also operates on a simcard, you do not have to use a Wi-Fi network. You can also start cleaning by using the screen on the machine itself.



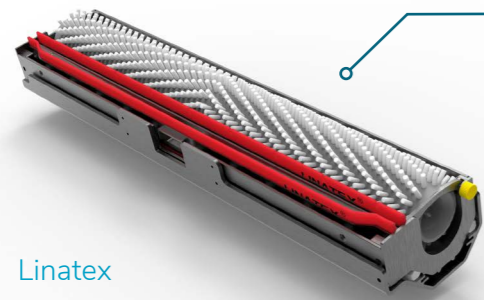
# The app gets me going in no time

Creating a map of your room(s) is easy. With the i-team co-botics™ app, it only takes you a couple of minutes. This means you can have your 45 ready for a new room in just 10 minutes!



# I come prepared

## More about me



Linatex



Primothane

### Choose your squeegee

The Linatex version comes standard. For greasy and oily areas, we recommend to order the Primothane version.

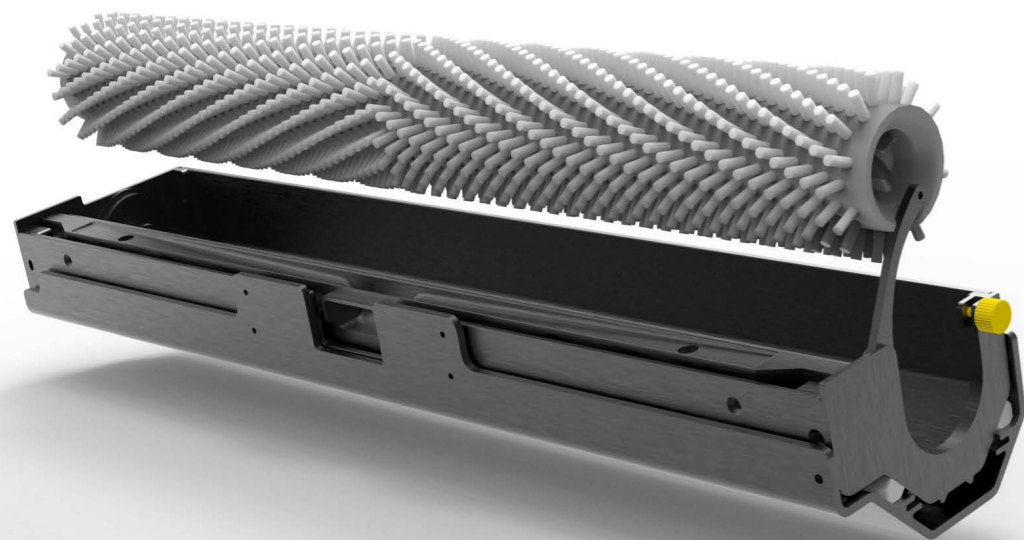
### Easy click-in squeegee

Replacing the squeegee and its rubbers is a piece of cake: no tools required. You're done in less than a minute!

You release the squeegee by the press of a button and the rubber can be removed with a gentle pull. Placing the squeegee and rubber back is equally easy. Push the rubber on the knobs and click the squeegee back.



LINATEX®



### Power

The co-botic™ 45 runs on the co-botic version of the i-power 20 batteries. Charge them with the i-charge 9c.

- battery life: up to 180 minutes
- charging time 0 - 100%:
  - with i-charge 9c: 120 minutes
  - with single charger: 180 minutes
- switching battery time: approx. 30 seconds



i-Power 20c



Single charger



i-Charge 9c

### Handle

The standard handle enables the cleaner to manually steer the co-bot to any location. Very convenient when there is a spot that needs acute cleaning. Also, the handle can be used for mapping.



### Remote control

The easy-to-use remote control enables the cleaner to control the robot manually. It is useful for spot cleaning but also for mapping purposes.





Saves time	No detergents needed
Uses less water	Uses less power

**Comparing is believing**

Cleaning a 650m<sup>2</sup> hard floor would take a cleaner with a mop & bucket over 4 hours and unnecessarily high amounts of water and detergents. If the cleaner uses a large walk-behind machine, this time is reduced to about 1 hour (calculated practical ISSA times). If you leave the floor to the co-botic™ 45, the cleaner can spend that 1 hour on other tasks.

**On top of that:**

- The 45 only uses 4 liters of water for this surface, delivering the same cleaning level and performance as an i-mop.
- The 45 only uses 240W per hour, while larger scrubber-dryers use up to 1000W.
- The 45 protects the cleaner from back injuries due to stressful mop & bucket posture.

**The i-team philosophy**



**FASTER**

The co-botic™ 45 keeps on cleaning for up to 180 minutes. When the battery is almost empty, the machine can return to its starting point before it runs out of battery. When working with 2 batteries, the machine can operate 24/7. Bonus: it can even be used overnight in dark areas without any trouble.



**CLEANER**

The cleaner can create their own cleaning routes for the co-botic™ 45 via the co-botic app. Alternatively, the co-botic™ 45 can program itself to perform the most efficient cleaning job for the desired area. You can use it in all kinds of hard floors rooms, glossy or rough floors. Also, if the path of the 45 is blocked it will come back later to clean the missed spot.



**GREENER**

The co-botic™ 45 is programmed to clean as precisely and efficiently as possible. Every bit of energy is used for cleaning - nothing is wasted. While the 45 only consumes 240W in one hour, alternative robots can consume up to 1000W per hour. Furthermore, it saves as much water as possible while still remaining the i-mop known and proven cleaning performance.



**SAFER**

Because the co-botic™ 45 is battery-powered, there are no cables involved. There is also no need for a charging or refill station. This instantly reduces the risk of tripping and falling hazards. Furthermore, the 45 will leave the cleaned floor dry within 10 seconds to reduce slipping hazards. By setting virtual boundaries in the app, the cleaner can rely on the 45 to stay within the designated areas. Additionally, the automatic cliff detection feature prevents the co-bot from falling off stairs or other elevations...



...and **BETTER** for everyone!

Combining the i-team co-botic performance with the trained human eye, the co-botic™ 45 gets the most out of your cleaning operations and needs. The cleaner and the co-bot make a perfect team, and will never miss a spot. They each execute the cleaning they can do best, simultaneously and side-by-side.

Never miss  
a spot.



## Technical specifications

### Co-botic™ 45

Cleaning efficiency	Roller Scrubber/dryer upto 1500 m <sup>2</sup> (Single Operation Cycle)
Cleaning pressure	2-6 kg
Clean water tank	10 L
Recovery tank	10 L
Battery Life	~2-3 hours (1x ipower20)
Charging time	single charger: 180mins, i-charge 9c: 120 mins
Sensors	3D LiDAR (x1) 2D LiDAR (x1) TOF (x1) Ultrasonic Sensors (x4)
Display screen	7 inches
Operational speed	0.8 m/s (adjustable)
Noise level	75 dB (power) / 71 dB (standard) / 65 dB (quiet)
Weight	35 kg
Dimensions (L x W x H)	500mm X 504mm X 629mm
Brush speed	300-900 RPM
Others	Remote control Auto route planner Robot management dashboard Downloadable cleaning reports (pdf file) Modular design on all parts
Compliant standards	EN IEC 63327 EN IEC 61000-6-2:2005 EN IEC 62368

\* This product is still under development, final product may look and function differently.







---

## Seeing is believing

Schedule a demonstration today and discover how  
i-team can revolutionize your cleaning operation.  
We promise you'll be amazed.

i-team Global HQ

---

Hoppenkuil 27B  
5626 DD  
Eindhoven  
The Netherlands

hello@i-teamglobal.com  
+31 (0)40 266 24 00



i-teamglobal.com

---

INQUIRE. INNOVATIE. INSPIRE